



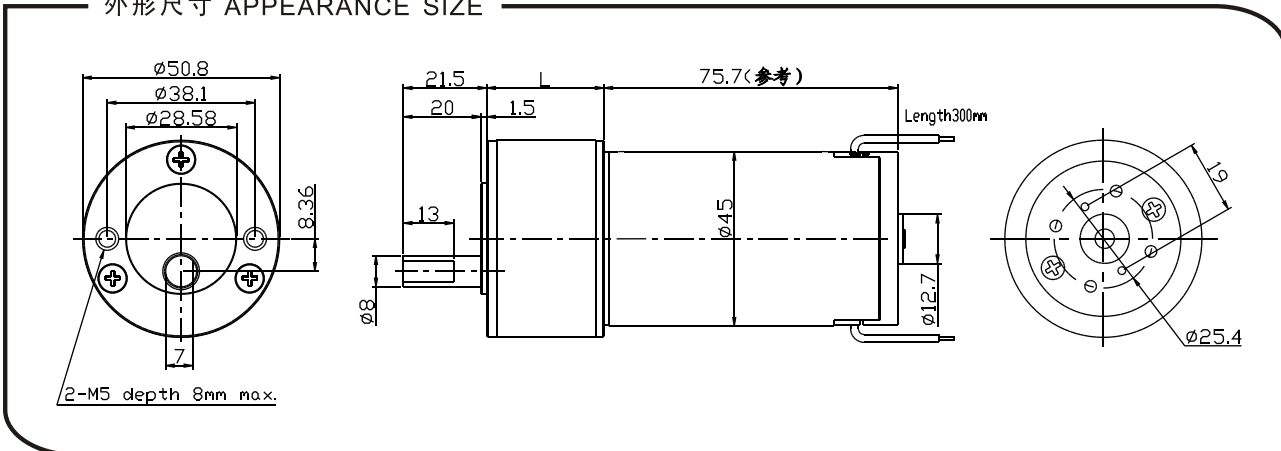
电压/Main voltage: 3VDC、6VDC、9VDC、12VDC、24VDC、36VDC

用途/Typical applications: 垃圾处理器、自动贩卖机、蠕动泵子、望远镜、自动门、电视广告、医疗器械、ATM银行系统、家用电器、执行器、办公设备 Garbage disposers, Slot machine, Peristaltic pump, Angular telescope, Automatic door, Electric advertising, Medical equipment, ATM bank automatic system, Household appliances, Automatic actuator, Office equipment.

重量/Weight: 500~550g/pcs(approx)

包装外形尺寸/Packing details: CTN size: 34X31XH15cm 20pcs/CTN G.W.13kgs

外形尺寸 APPEARANCE SIZE



齿轮箱数据 Gearbox data

减速箱级数 Number of stages	2、3 减速比 Stages reduction	4、5 减速比 Stages reduction	6 减速比 Stages reduction
减速比 Reduction ratio	7.5、13.8; 30、55	120、220; 480、883	1920、3532
齿轮箱长度 Gearbox length "L" mm	26.4	30.2 33.9	37.7
最大运转力矩 Max. Running torque	10kgf.cm	30kgf.cm	30kgf.cm
最大破坏力矩 Max. Gear breking torque	30kgf.cm	75kgf.cm	75kgf.cm
最高齿轮效率 Max. Gearing efficiency	81%; 73%	65%; 59%	53%

其它减速比请致电或邮件给我司技术部 Other reduction ratio please telephone or e-mail to our engineering department.

马达参数 Motor data

马达型号 Motor Model	电压 Rated Volt. V	空载 No load		负载 Load torque				堵转 Stall torque	
		电流 Current	转速 Speed	电流 Current	转速 Speed	扭矩 Torque	输出功率 Output power	扭矩 Torque	电流 Current
		mA	r/min	mA	r/min	gf.cm	W	gf.cm	A
RG50M45123000	12	≤210	3000	≤1200	2430	390	9.5	2470	6.6
RG50M45124500	12	≤440	4500	≤2050	3710	480	17.8	2706	10.2
RG50M45126000	12	≤630	6000	≤4150	5240	610	31.9	4700	20.3
RG50M45243000	24	≤120	3000	≤620	2590	380	9.84	2160	3.4
RG50M45244500	24	≤270	4500	≤1340	3850	490	18.8	3233	5.5
RG50M45246000	24	≤360	6000	≤2050	5120	650	33.2	4715	12.2

- 马达和齿轮箱装配成减速电机后输出扭矩 = 马达扭矩X减速比X齿轮效率;输出转速 = 马达转速 / 减速比 .
- After connecting motor and gearbox which is named gearmotor the output torque: motor torque X reduction ratio X gearing efficiency; output speed: motor speed/reduction ratio .