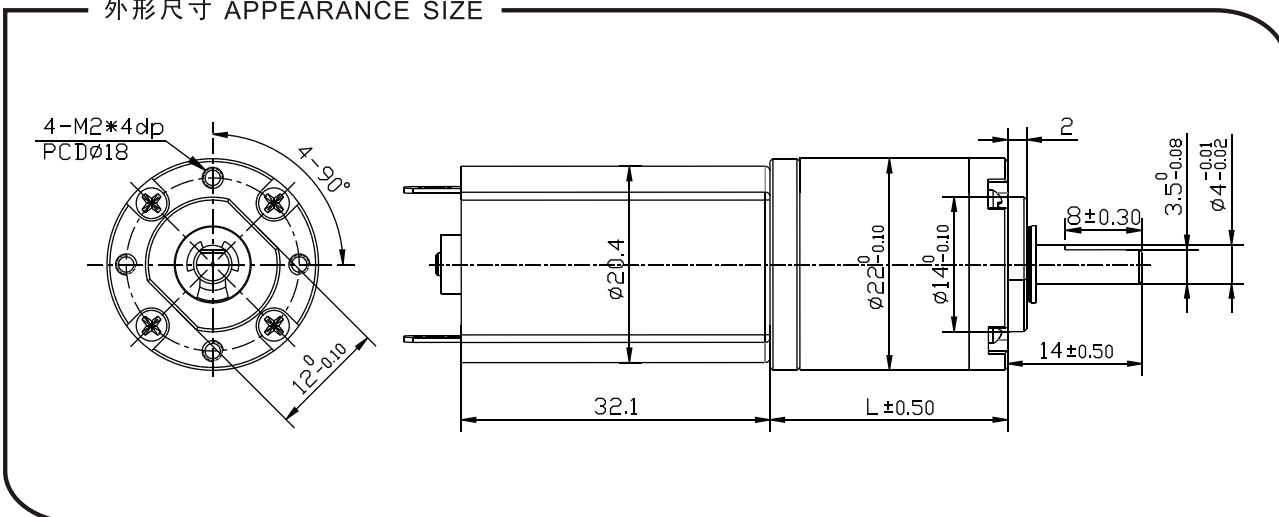




用途/Typical applications: 光学仪器、调焦照相机、指纹锁、自动节能器、水表IC卡、礼品玩具、办公设备、家用电器、执行器

Optical equipment, Monitoring cameras, Kind of finger-electroni locks, Automatic energy savingbath, Water IC card, Toys and gifts, Office eueqipment, Household appliances, Automatic actuator.

外形尺寸 APPEARANCE SIZE



齿轮箱数据 Gearbox data

减速箱级数 Number of stages	1 减速比 Stages reduction	2 减速比 Stages reduction	3 减速比 Stages reduction	4 减速比 Stages reduction	5 减速比 Stages reduction
减速比 Reduction ratio	3.5、4	12.3、16、19	42.8、64、 90	150、256、304、361、428	712、1024、1263、1444、1500、2036
减速比 Reduction ratio	13.9	17.5	21.1	24.7	28.3
最大运转力矩 Max. Running torque	1.0kgf.cm	1.5kgf.cm	4.0kgf.cm	4.0kgf.cm	4.0kgf.cm
最大破坏力矩 Max. Gear breking torque	3.0kgf.cm	4.5kgf.cm	12kgf.cm	12kgf.cm	12kgf.cm
最高齿轮效率 Max. Gearing efficiency	90%	81%	73%	65%	59%

其它减速比请致电或邮件给我司技术部 Other reduction ratio please telephone or e-mail to our engineering department.

马达参数 Motor data

马达型号 Motor Model	电压 Rated Volt. V	空载 No load		负载 Load torque				堵转 Stall torque	
		电流 Current	转速 Speed	电流 Current	转速 Speed	扭矩 Torque	输出功率 Output power	扭矩 Torque	电流 Current
		mA	r/min	mA	r/min	gf.cm	W	gf.cm	mA
RF-1800310000	3	≤300	10000	≤1400	8000	30	2.4	120	7000
RF-1800610000	6	≤160	10000	≤720	8000	30	2.4	120	3500
RF-180129000	12	≤58	9000	≤300	7200	25	1.8	90	950
RF-1801211000	12	≤80	11000	≤450	8500	30	2.5	120	1550
RF-180249000	24	≤25	9000	≤240	7200	25	1.8	90	650
RF-1802411000	24	≤30	11000	≤255	8500	30	2.5	120	850

• 马达和齿轮箱装配成减速电机后输出扭矩 = 马达扭矩X减速比X齿轮效率;输出转速 = 马达转速 / 减速比 .

• After connecting motor and gearbox which is named gearmotor the output torque: motor torque X reduction ratio X gearing efficiency; output speed: motor speed/reduction ratio .