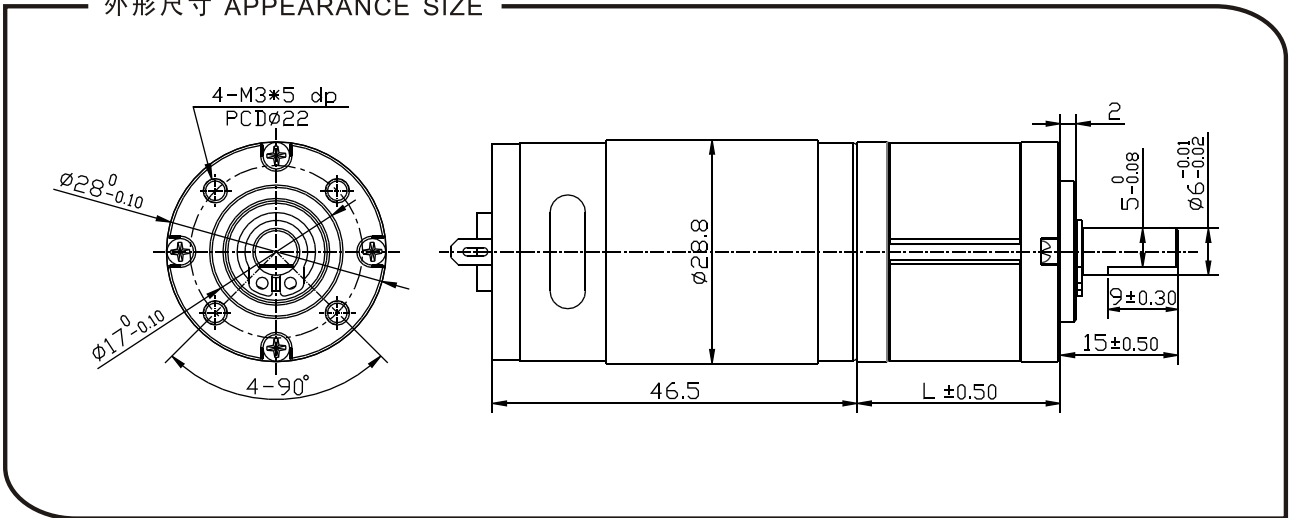




用途/Typical applications: 蠕动泵、微型数控设备、自动取款机、输卡机、遥控窗帘、过胶机、油印机、办公设备、家用电器、执行器

Peristaltic pump, Micro CNC equipment, ATM bank automatic system, Card conveyors, Auto shutter, Binding machine, Mimeograph, Office equipment, Household appliances, Automatic actuator.

外形尺寸 APPEARANCE SIZE



齿轮箱数据 Gearbox data

减速箱级数 Number of stages	1 减速比 Stages reduction	2 减速比 Stages reduction	3 减速比 Stages reduction	4 减速比 Stages reduction	5 减速比 Stages reduction
减速比 Reduction ratio	3.3、4.6	11.2、15.5、21.5	37.7、52.1、72、100	126、174、241、334、462	432、585、810、1120、1549、2142
减速比 Reduction ratio	20.2	25.9	31.7	37.5	43.3
最大运转力矩 Max. Running torque	5.0kgf.cm	10.0kgf.cm	25kgf.cm	25kgf.cm	25kgf.cm
最大破坏力矩 Max. Gear breking torque	15.0kgf.cm	30.0kgf.cm	75kgf.cm	75kgf.cm	75kgf.cm
最高齿轮效率 Max. Gearing efficiency	90%	81%	73%	65%	59%

其它减速比请致电或邮件给我司技术部 Other reduction ratio please telephone or e-mail to our engineering department.

马达参数 Motor data

马达型号 Motor Model	电压 Rated Volt. V	空载 No load		负载 Load torque				堵转 Stall torque	
		电流 Current	转速 Speed	电流 Current	转速 Speed	扭矩 Torque	输出功率 Output power	扭矩 Torque	电流 Current
		mA	r/min	mA	r/min	gf.cm	W	gf.cm	mA
RS-395124500	12	≤150	4500	≤470	3879	95.5	3.7	643	2600
RS-395126000	12	≤190	6000	≤950	5350	119	6.5	847	4600
RS-395244500	24	≤70	4500	≤230	3992	104	4.2	722	1500
RS-395246000	24	≤90	6000	≤450	5456	134	7.5	1017	2720

- 马达和齿轮箱装配成减速电机后输出扭矩 = 马达扭矩X减速比X齿轮效率;输出转速 = 马达转速 / 减速比 .
- After connecting motor and gearbox which is named gearmotor the output torque: motor torque X reduction ratio X gearing efficiency; output speed: motor speed/reduction ratio .